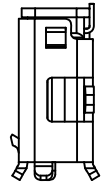
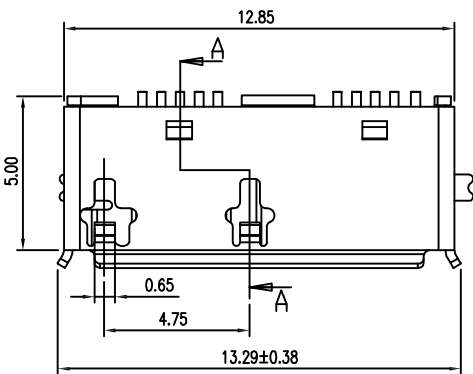


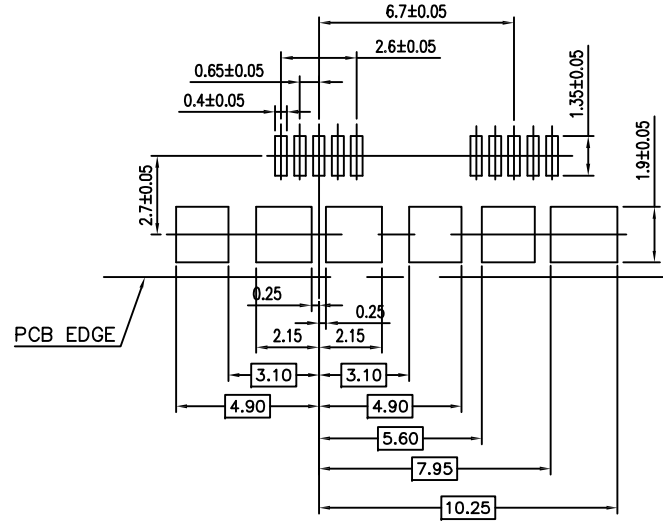
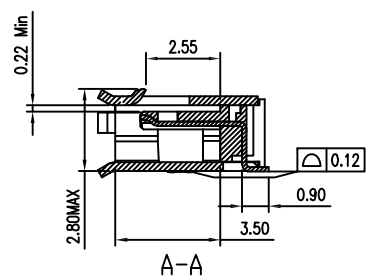
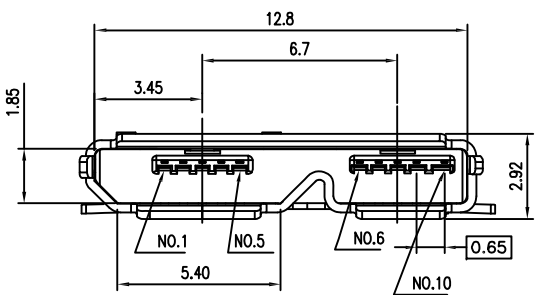
1 2 3 4 5 6 7 8

A
B
C
D
E
F
G
H



RoHS
Compliant

- NOTES:
1. INSULATOR: LCP . COLOR-BLACK
 2. CONTACT: BRASS.0.15mm THICKNESS,GOLD PLATED ON CONTACT AREA, Tin 80u"Min PLATED ON SOLDER TAIL, 30 U" MIN. NICKEL UNDERPLATED OVERALL.
 3. SHELL: STAINLESS STEEL ,0.3mm THICKNESS, 80 U" MIN. NICKEL UNDERPLATED OVERALL.

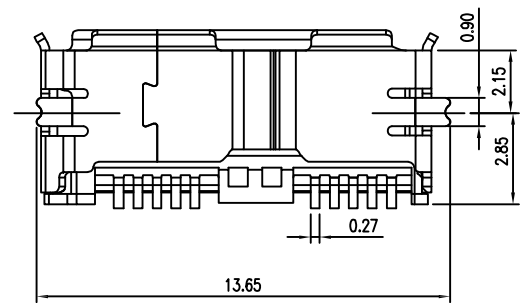


RECOMMENDED PCB LAYOUT

ORDER INFORMATION

SERIES NO. **73B** - **R** - **R** - **XX** - **2** - **D** - **6** - **B** -67

Micro USB 3.0 B Type P: Plug R: Receptacle R: Right angle V: Vertical H: Upright W: Solder wire L: Solder long S: Solder short G1: Gold Flash G2: 05 u" G3: 10 u" G4: 15 u" G5: 30 u" G6: 3u" G7: 6u" G8: 2u" 2: T&R 3: Tray Brass A: Nickel B: Gold C: Tin Stainless D: Nickel E: Gold F: Tin 2:2 Straight 6: 2XSMT B: Black LCP C: Blue LCP P: Black PA9T T: Black PBT W: Blue PA9T N: Blue PBT



REV.	REVISION RECORD	DATE	General Tolerances			
A	Original	04/10/13	LINEAR	0.0 ±0.35	ANGLES ±3°	
B	Revised	12/25/13		0.00±0.20		DWG.NO.: 73BRRXX2D6B-67 REV. C
C	Revised	01/09/15		UNIT:mm		
			APPROVED	Wacker		
			DESIGNER	TED		
			DRAWN	Angus		

1 2 3 4 5 6 7 8