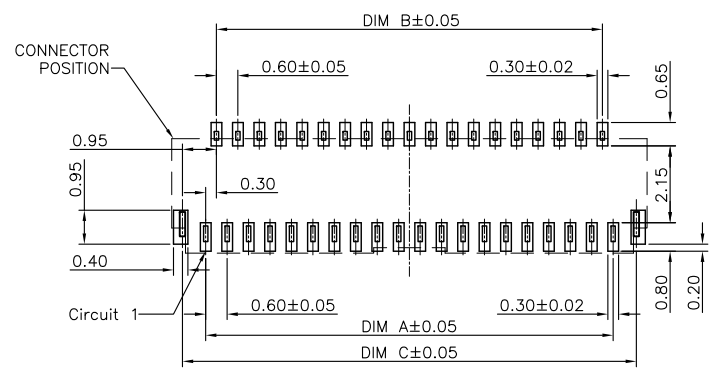
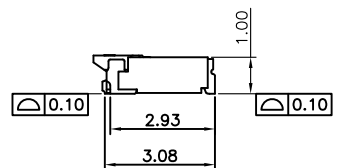
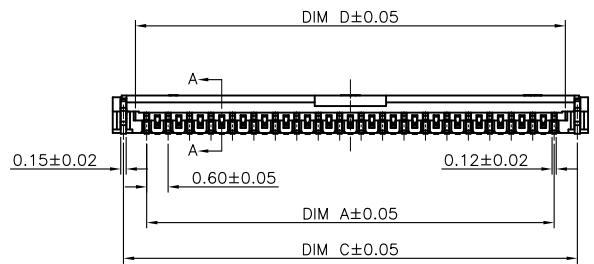


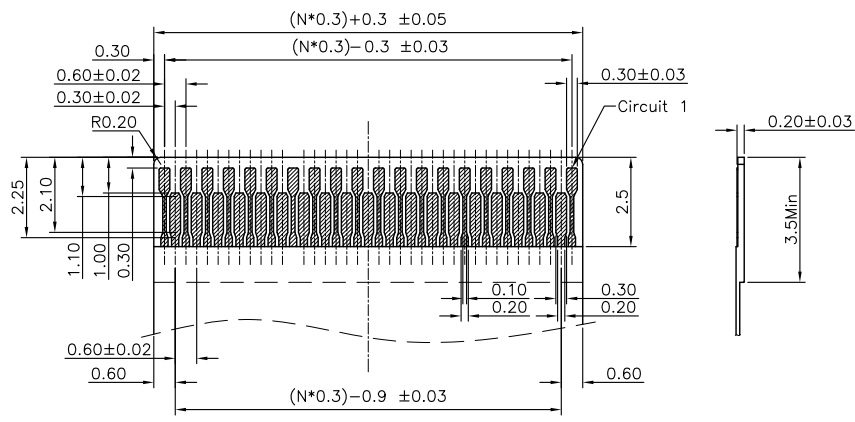
SECTION A-A
SCALE 1:1

- Note:
- Material:
 - Housing: Thermoplastic High Temp. UL94V-0; Color: Black.
 - Latch: Thermoplastic High Temp. UL94V-0; Color: Black.
 - Terminal: Copper Alloy.
 - Fitting Nail: Copper Alloy.
 - Finish:
 - Terminal: Gold Flash overall.
 - Fitting Nail: Tin overall.
 - Electrical Characteristics:
 - Current rating: 0.2A AC/DC
 - Voltage rating: 30V AC/DC
 - Temperature range: -55°C~+85°C
 - Withstand Voltage: 250V AC/Minute
 - Contact Resistance: 40mΩ Max
 - Insulation resistance: 500MΩ Min
 - Relative Humidity: 90% Max

RoHS
Compliant



RECOMMENDED P.C.B PATTERN LAYOUT



RECOMMENDED FPC/FFC DIMENSION

CKTS	DIM A	DIM B	DIM C	DIM D	DIM E
13	3.60	3.00	4.90	4.23	5.50
15	4.20	3.60	5.50	4.83	6.10
17	4.80	4.20	6.10	5.43	6.70
19	5.40	4.80	6.70	6.03	7.30
21	6.00	5.40	7.30	6.63	7.90
23	6.60	6.00	7.90	7.23	8.50
25	7.20	6.60	8.50	7.83	9.10
27	7.80	7.20	9.10	8.43	9.70
29	8.40	7.80	9.70	9.03	10.30
31	9.00	8.40	10.30	9.63	10.90
33	9.60	9.00	10.90	10.23	11.50
35	10.20	9.60	11.50	10.83	12.10
37	10.80	10.20	12.10	11.43	12.70
39	11.40	10.80	12.70	12.03	13.30
41	12.00	11.40	13.30	12.63	13.90
43	12.60	12.00	13.90	13.23	14.50
45	13.20	12.60	14.50	13.83	15.10
47	13.80	13.20	15.10	14.43	15.70
49	14.40	13.80	15.70	15.03	16.30
51	15.00	14.40	16.30	15.63	16.90
53	15.60	15.00	16.90	16.23	17.50
55	16.20	15.60	17.50	16.83	18.10
57	16.80	16.20	18.10	17.43	18.70
59	17.40	16.80	18.70	18.03	19.30
61	18.00	17.40	19.30	18.63	19.90
63	18.60	18.00	19.90	19.23	20.50
65	19.20	18.60	20.50	19.83	21.10
67	19.80	19.20	21.10	20.43	21.70
69	20.40	19.80	21.70	21.03	22.30
71	21.00	20.40	22.30	21.63	22.90

ORDER INFORMATION

SERIES NO. Pin No. PLATED PACKING

862B XX G1 2 -41

0.3mm Pitch ZIF FPC RA SMT Easy-on conn. 1.0H 13~71 PIN G1: Gold Flash 2: Tape&Reel

REV.	REVISION RECORD	DATE	General Tolerance	
A	Original	03/03/16"	LINEAR 0.0 ± 0.35	ANGLE ± 3°
B	Revised	03/10/17"	0.00 ± 0.20	
			UNIT:mm	
			A4	NAME DATE
			APPROVED	SUNNY
			DESIGNER	TED
			DRAWN	WING



TITLE: 0.3mm Pitch ZIF FPC SMT Right Angle Easy-on Bottom Contact 1.0H

DWG.NO: 862BXXG12-41 REV. B

SCALE 1:1 SHEET 1 OF 1