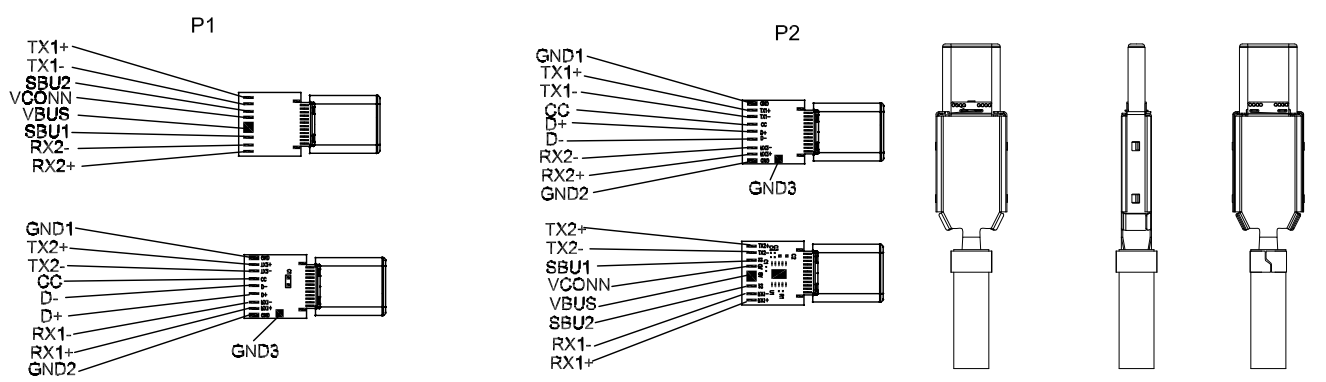
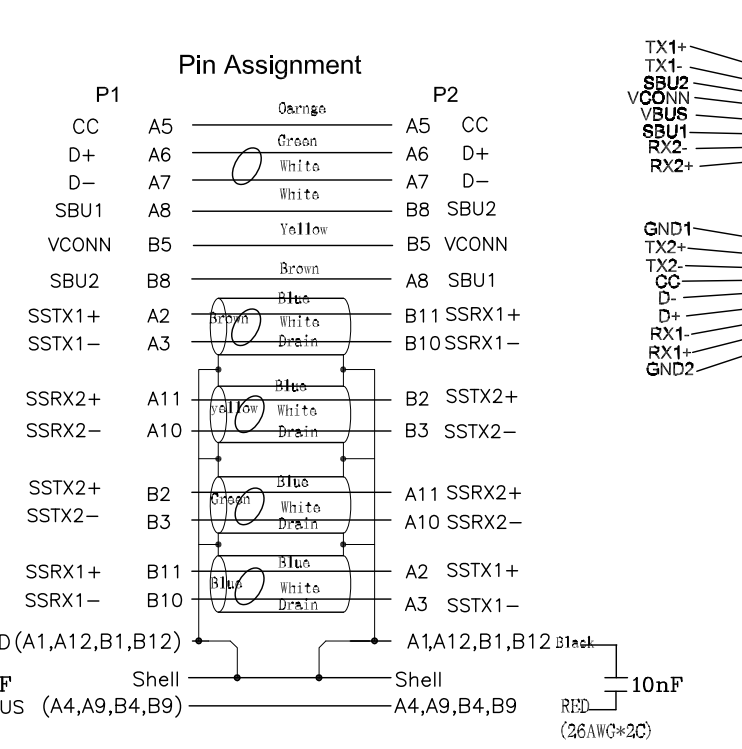
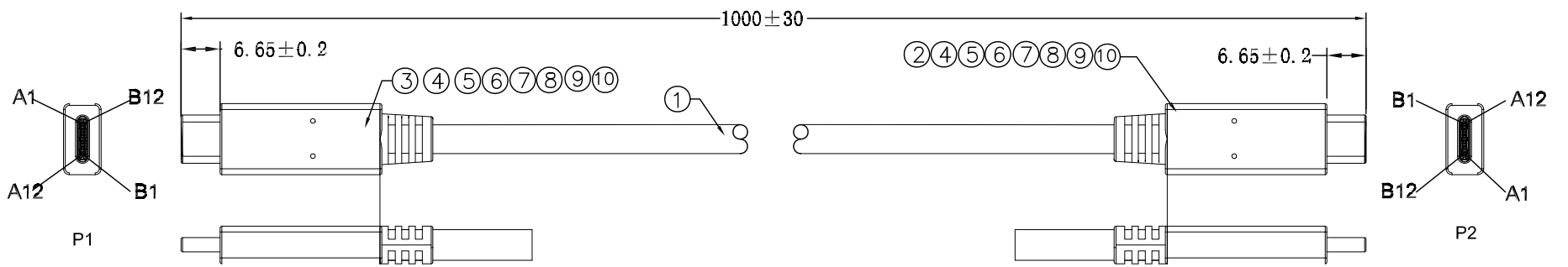


1 2 3 4 5 6 7 8

A
B
C
D
E
F
G
H



No.	SPECIFICATION DESCRIPTION	QTY	UNIT
10	W=3mm 25u Copper Foil	0.081	m
9	USB C Solder Tin Plated On the cover Nickel Plated	1	pc
8	USB C Solder Tin Plated Under cover Nickel Plated	1	pc
7	45P Black PVC	12	g
6	Low Pressure internal mold hardness : 40~48D UL94V-0	1	g
5	H.S.T. Ø1.0*10*4pcs	0.04	M
4	H.S.T. Ø1.5*12*2pcs	0.024	M
3	USB 3.1 CM With PCB+SMT Shell Nickel Plated 5A	1	pc
2	USB 3.1 CM With PCB+SMT EMARK W/IC Shell Nickel Plated 5A	1	pc
1	USB 3.1~[30AWG (7/0.1BC) +EAM]*4P[32AWG (7/0.08BC) +EA]*1P+26AWG (19/0.1BC) *2C+[34AWG (7/0.06BC) +A]*2C +34AWG (7/0.06BC) *2C+AB (16/11/0.08TC 85%TC) Ø5.2 Black Jacket	1.02	M

ORDER INFORMATION



CECMCM
 USB 3.1 CM TO
 USB 3.1 CM Cable

5
 Cable Length
 5:1000mmL

B
 Housing Color
 B:Black

E-276
 Cable O.D.
 E:5.2

REV.	REVISION RECORD	DATE	General Tolerance	ARIBA TECHNOLOGY CO., LTD.	
A	Original	11/03/17"	LINEAR 0.0 ±0.35 0.00 ±0.20	ANGLE ±3°	TITLE: USB CM With CM Cable 1000L
			UNIT:mm		DWG.NO: CECMCM5BE-276
			A4	NAME DATE	REV. A
			APPROVED	SUNNY	
			DESIGNER	TED	
			DRAWN	HILERN	
			SCALE	1:1	SHEET 1 OF 1

1 2 3 4 5 6 7 8