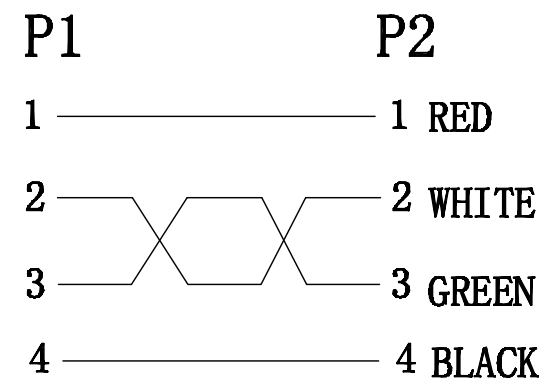
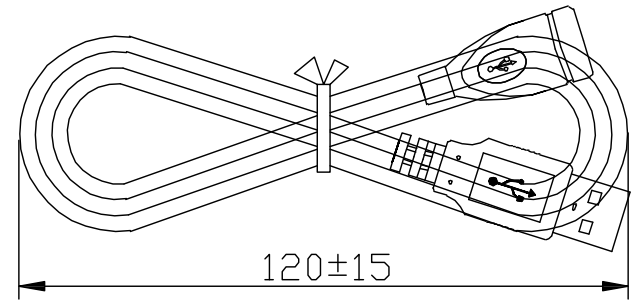


**PIN OUT**



SHELL ——— BRAND ——— SHELL



5 Pcs/Binding, 50Pcs/Bag

**ORDER INFORMATION**

**CU2AMFM** 5 B 4-177  
 USB 2.0 AM TO to USB 2.0 AF Cable  
 Cable Length 5:1000mm  
 Cable O.D. 4:3.5  
 Cable Color B:Black

- ELECTRONIC TEST:**
- 100% TEST,(Open,Short,Miss Wire).
  - Conduct Resistance: 2Ω/max.
  - Insulation Resistance: 20MΩ/min.
  - Hi-Pot: 300v dc/10ms.

④	PVC 45P BLACK			g
③	USB 2.0 A Female,Terminal Gold Plated,Shell Ni Plated,Housing White	1		PC
②	USB 2.0 A Male,Terminal Gold Plated,Shell Ni Plated,Housing White	1		PC
①	UL2725 28AWG*1P+28AWG*2C+AB ø3.5 Black PVC Jacket	1		PC
NO.	SPEC			Q' TY UNIT
REV.	REVISION RECORD	DATE	General Tolerance	
A	Original	10/25/18"	LINEAR 0.0 ±0.35	ANGLE ±3°
			0.00 ±0.20	
			UNIT:mm	
			A4	NAME DATE
			APPROVED	WAVE
			DESIGNER	TED
			DRAWN	JENLAI
			TITLE: Cable USB 2.0 A Female to Male 1000L	
			DWG.NO: CU2AMFM5B4-177	REV. A
			SCALE 1:1	SHEET 1 OF 1



TITLE: Cable USB 2.0 A Female to Male 1000L

DWG.NO: CU2AMFM5B4-177 REV. A

SCALE 1:1 SHEET 1 OF 1