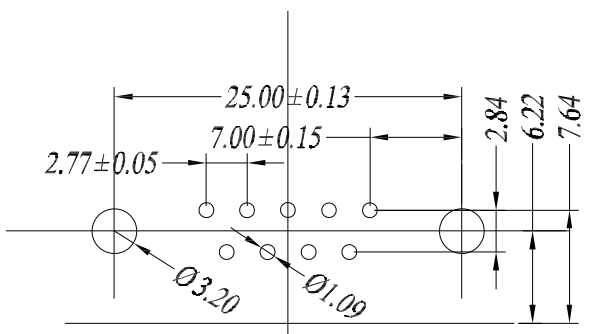
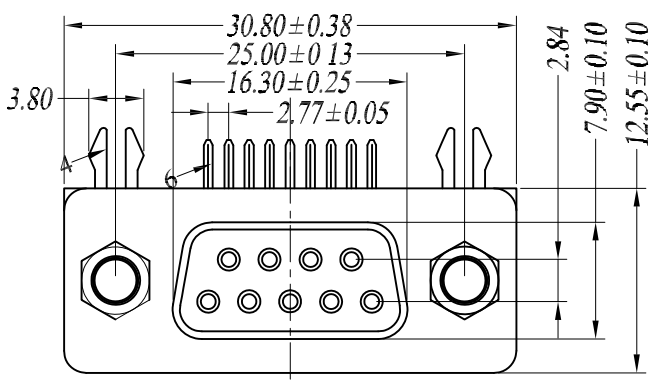


1 2 3 4 5 6 7 8

A



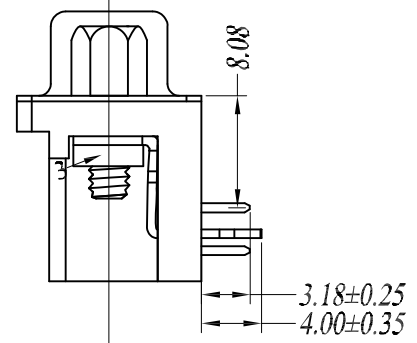
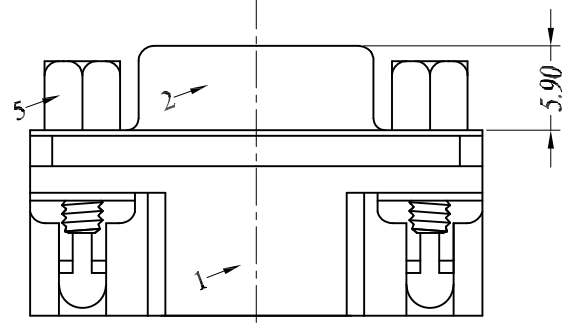
ELECTRICAL
 Current rating: 5Amp
 Dielectric withstanding voltage:
 AC 500v min (for 1 minute)
 Insulation resistance:
 500MΩ min (at 500v DC)
 Contact resistance:
 25mΩ max
 Working Temperature:
 -55°C~+105°C
 Durability: 5000 cycles

B

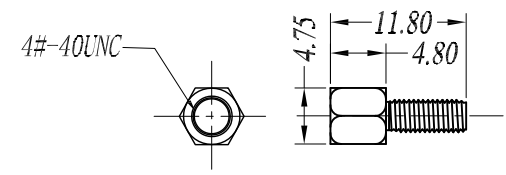
C

P.C B PLYOUT

D



RoHS
Compliant



Order Information :

DSS9-F XX A X B -59
 D-Sub 9PIN Pin Plating Shell Plated COLOR
 Female RA PT: Pure Tin 0: Tin B: Black
 Type Series G1: Gold Flash 1: Ni

X: Without any screw and accessories
 A: With screw rivet front side

G

6	TERMINAL	Bronze			9
5	SCREW	Brass			2
4	FORK	Brass			2
3	RIVET	Brass	Nickel Plated		2
2	FRONT SHELL	SPCC		0.35mm	1
1	INSULATOR	PBT+G.F.,UL 94V-O, Black			1
NO	PART NAME	DESCRIPTION	PLATING	THICKNESS	Q.TY

REV.	REVISION RECORD	DATE
A	Original	09/10/14'

General Tolerances		
LINEAR	0.0 ±0.35	ANGLES ±3°
	0.00±0.20	
APPROVED	MARTIN	UNIT: mm
DESIGNER	MERLIN	A4 NAME DATE
DRAWN	ANGEL	

ARIBA
 TECHNOLOGY CO., LTD.

TITLE: D-Sub Female R/A DIP 9P Type
 1st Pin Distance 8.08mm

DWG.NO.: DSS9-FxxAxB-59 REV. A

SCALE 1 : 1 SHEET 1 OF 1

H

1 2 3 4 5 6 7 8