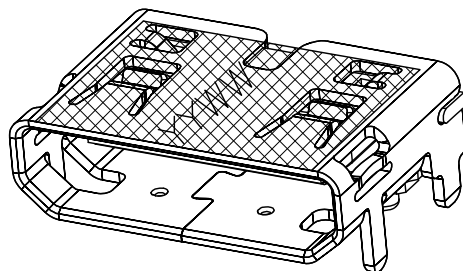
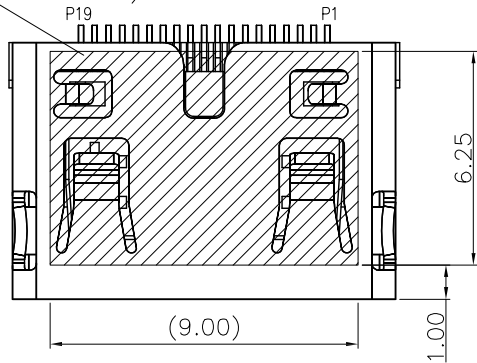


Ordering Information

HC	F	1	0	R	XX	N	B	2	B	2	41
HDMI C Type	F: Female	PIN TYPE	0: w/o Flange	Type	Contact Plated	On PCB	Shell Material	Shell Legs	Housing Color	Packing	
		1: SMT	1: TOP Flange	R: RA	G1: Gold Flash	N: Normal	Brass	1: SMT Shell	B: Black	1: Tube	
		2: DIP	H5.1	V: Vertical	G2: 5u"	R: Reverse	A: Nickel	2: DIP Shell	W: White	2: Reel	
		3: MIX	2: TOP Flange	H: Upright	G3: 10u"	S: Sunk	B: Gold	3: Front SMT		3: Tray	
		10SMT PIN	H7.2		G4: 15u"		Stainless	Back DIP			
		9DIP PIN	3: Wing Flange		G5: 30u"		C: Nickel	4: Front DIP			
			4: TOP Flange		G6: 3u"		D: Gold	Back SMT			
			H6.2		G7: 6u"			5: Front DIP			
					G8: 2u"			Back Fork			

Mylar(CAN BE REMOVE)



3D VIEW

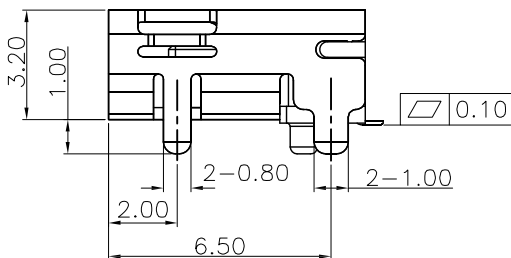
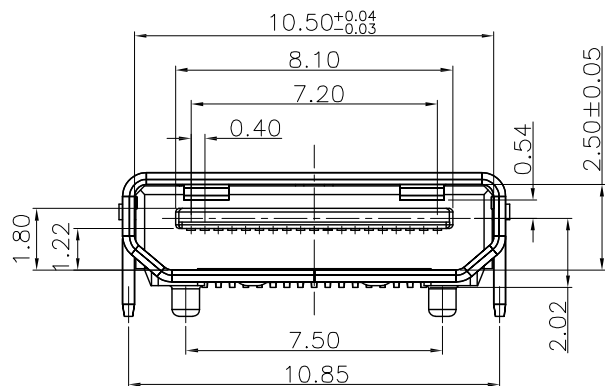
NOTES:

1. MATERIAL:

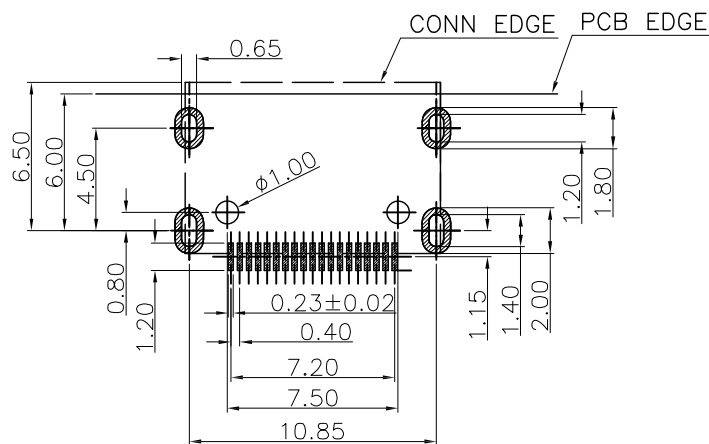
- 1.1 HOUSING: Black LCP UL94V-0 RATED
- 1.2 SHELL: BRASS
- 1.3 TERMINAL: PHOSPHOR BRONZE

2. FINISH:

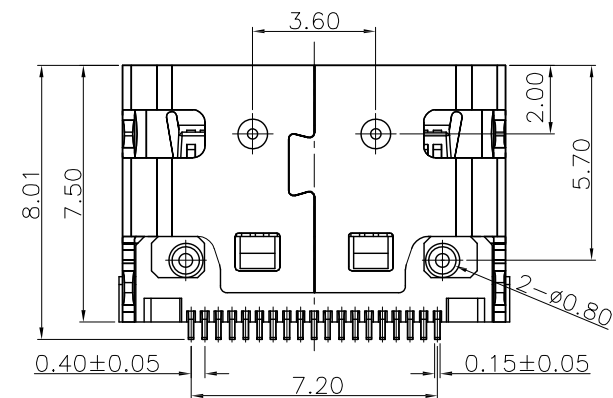
- 1.1 SHELL: GOLD PLATED OVER NICKEL
- 1.2 TERMINAL: GOLD PLATED ON CONTACT AREA AND TIN PLATED ON SOLDER AREA, NICKEL PLATED OVER ALL



RoHS Compliant



RECOMMENDED PCB LAYOUT (THICKNESS=0.8±0.05mm)



REV.	REVISION RECORD	DATE	General Tolerances			
A	Original	04/24/13'	LINEAR	0.0 ±0.35 0.00±0.20	ANGLES ±3°	
B	Revised	09/14/13'			UNIT: mm	TITLE: HDMI C/F TYPE SMT TYPE DWG.NO.: HCF10RXXNB2B2-41 REV. C
C	Revised	10/24/16'	A4	NAME	DATE	
			APPROVED	WENDY		SCALE 1 : 1 SHEET 1 OF 1
			DESIGNER	WHITE		
			DRAWN	ANGEL		