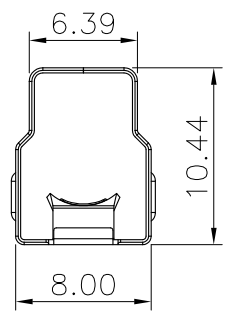
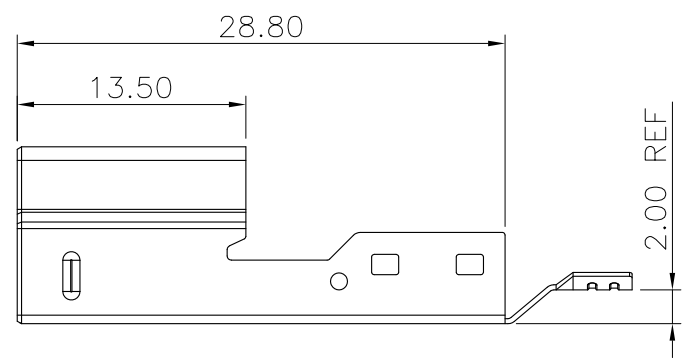
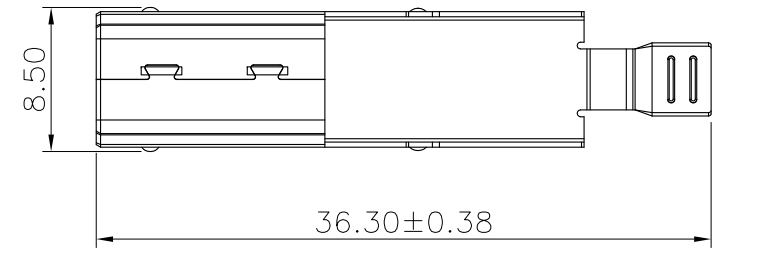


- 1. Material:**
 1~4Pin Contact : BRASS
 5~9Pin Contact : Phosphor Bronze
 Insulator: PBT UL94V-0 Blue
 Shell : SPCC
- 2. Mechanical:**
 Mating: 35N max.
 Withdrawal Force: 10N min.
- 3. Electrical:**
 CURRENT: 1.0A
 VOLTAGE: 30V MAX
 WITHSTANDING VOLTAGE: 300V AC/min.
 CONTACT RESISTANCE: 30 mΩ MAX
 INSULATION RESISTANCE: 100MΩ MIN
- 4. Plating:**
 Contacts: Gold Plated Over All
 Shell: Nickel over all plating
- 5. Environmental**
 Temperature Range -25°C~+85°C


RoHS
Compliant



ORDER INFORMATION

SERIES NO. U30B — P — W — XX — N — N — 1 — 67

USB 3.0 B Type P: Plug R: Receptacle W: Solder Wire G1: Gold Flash G4: 15u" G5: 30u" N: Nickel N: Blue PBT 1: 36.3L

REV.	REVISION RECORD	DATE	General Tolerance		
A	Original	12/13/17"	LINEAR	ANGLE ±3°	
			UNIT:mm		TITLE: USB 3.0 B Male Solser Type 36.3L DWG.NO: U30BPWXXNN1-67 REV. A SCALE 1 : 1 SHEET 1 OF 1
			A4	NAME DATE	
			APPROVED	SUNNY	
			CHECKED	TED	
			DESIGNER	ZNREN	